

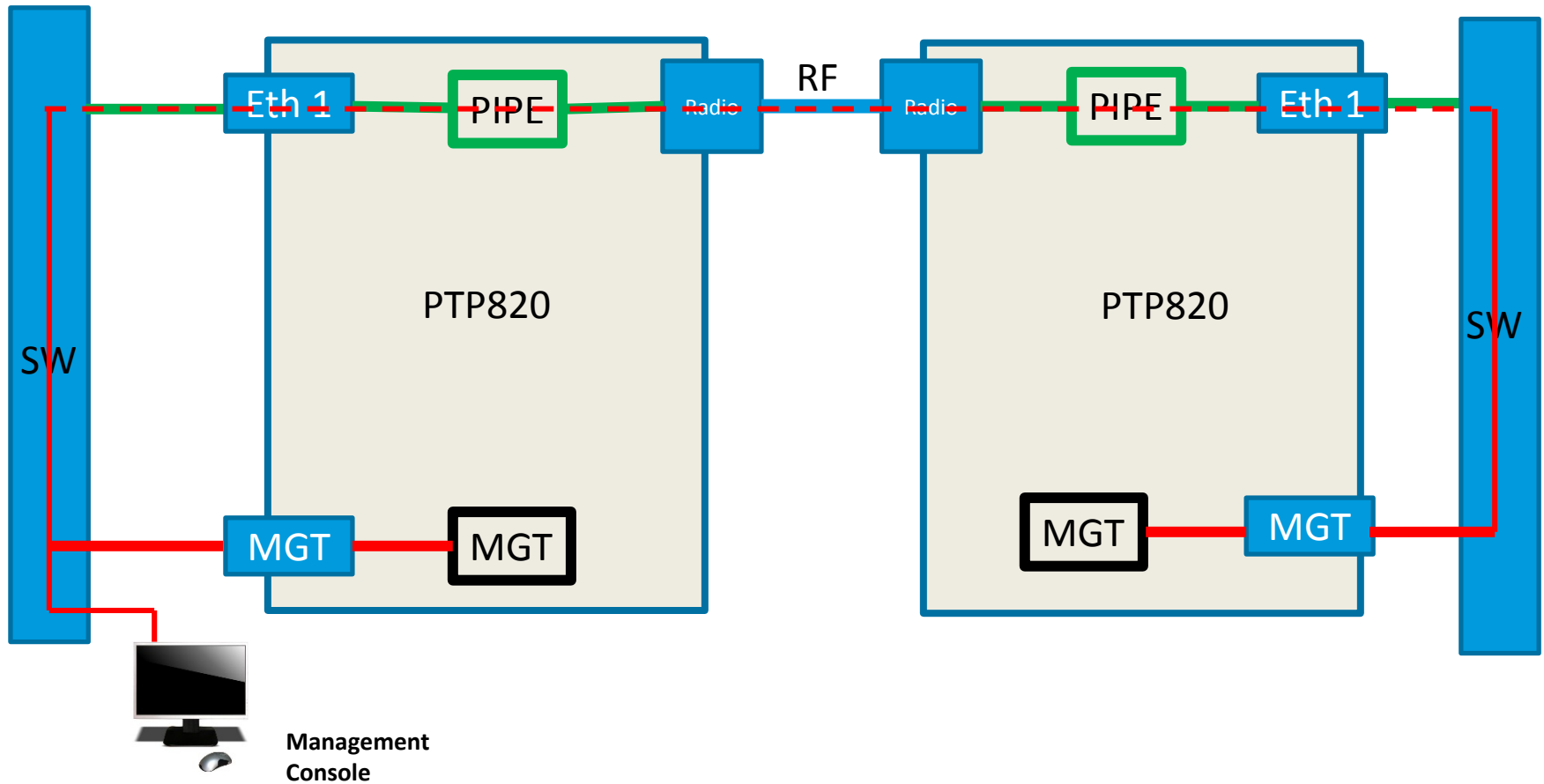
# PTP 820 Radio Management Configuration



# Agenda

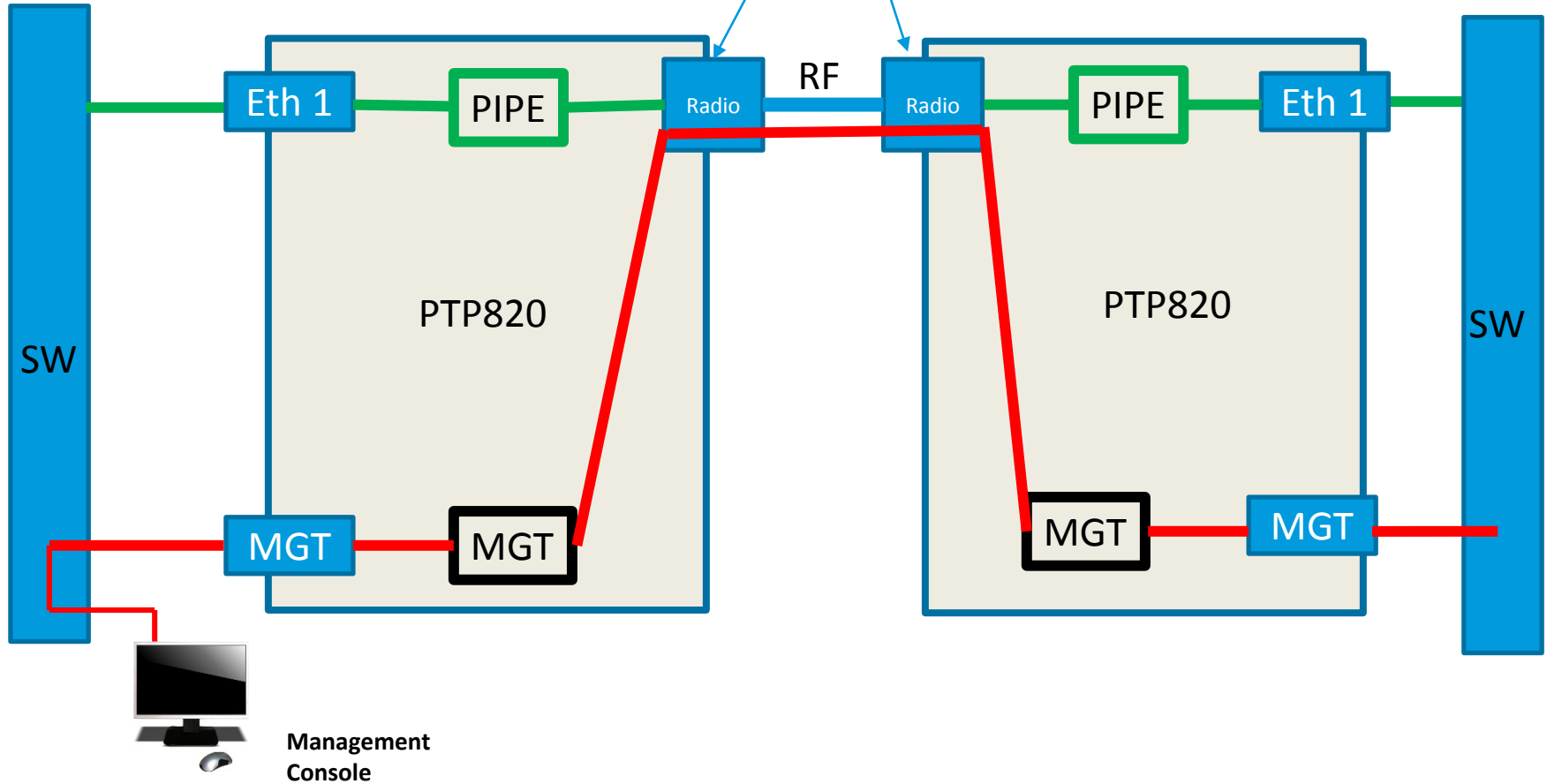
- Out-of-Band-Local
- Out-of-Band-Non-Local
- In-Band

# Out-of-band Local Management

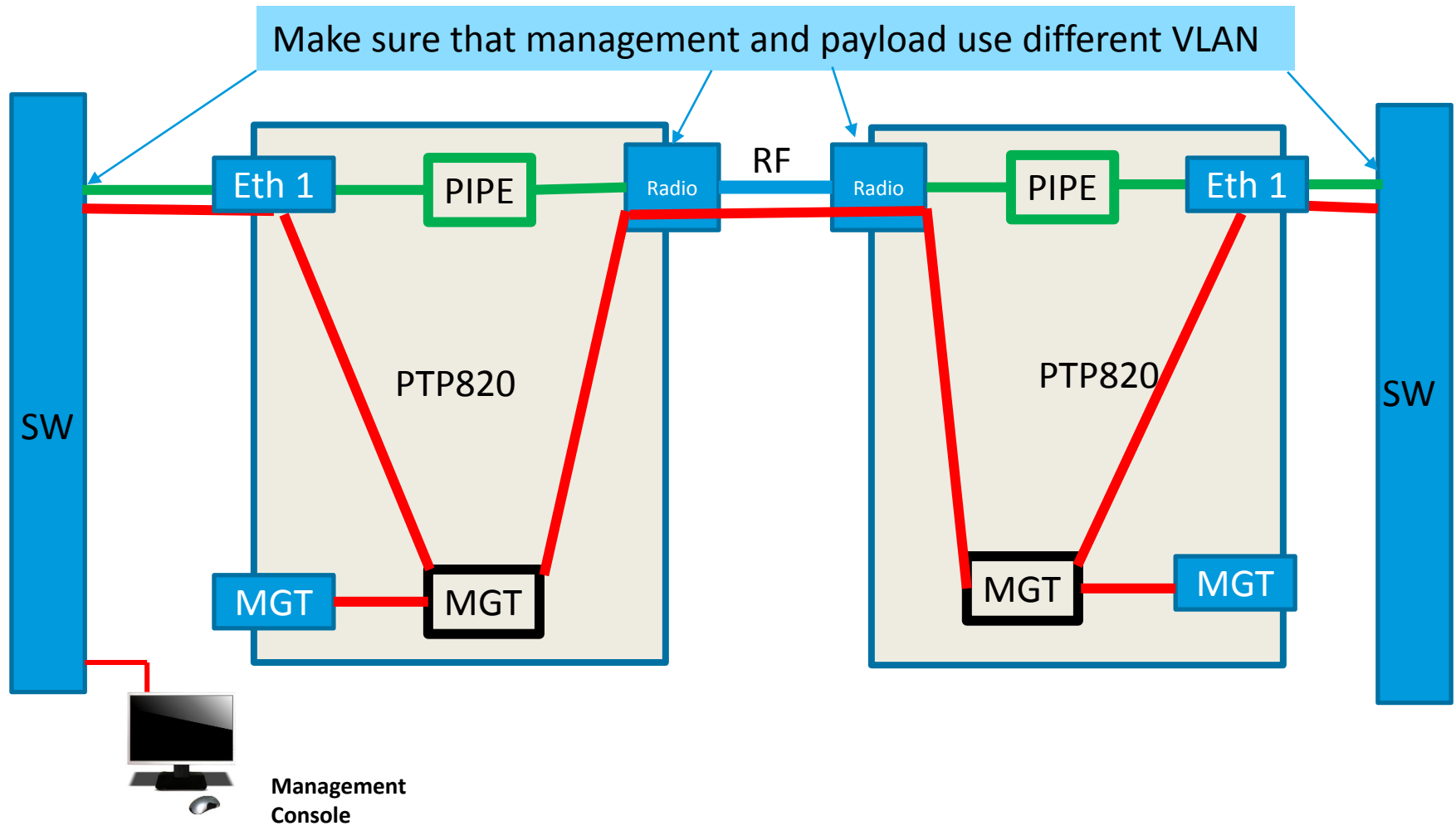


# Out-of-band Non-Local

Make sure that management and payload use different VLAN



# In-Band Management



# In-Band Management VLAN options

<b>Payload traffic</b>	<b>Management traffic</b>	<b>Preference</b>
Tagged	Tagged	BEST
Tagged	Untagged	Good
Untagged	Tagged	Better
Untagged	Untagged	<b>NOT RECOMMENDED</b>

How should payload and management traffic be kept separate?

- Ideally, payload and management traffic have separate VLAN IDs.
- The MNG service can become overloaded if neither the payload nor the management traffic are tagged.